



# INSTALLATION & OPERATION MANUAL

Before operating this product, please read the instructions carefully and save this manual for future use.

## TEFAWNXXXV3

TEFAWNXXXV3 series room thermostat is used in industrial, commercial and residential environments and is especially designed for Cooling/Heating equipment to maintain the room temperature. TEFAWNXXXV3 series room thermostat allows users to choose from 3 speeds in order to control the outlet air speed.



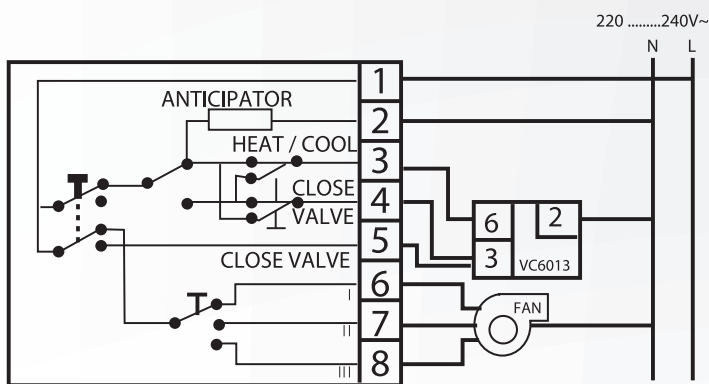
### SPECIFICATION

Set point range:	10~ 3 °C
Sensor type:	Dual Diaphragm Element
Temp accuracy:	+/- 1 °C
Voltage:	AC 220V +/-10% 50Hz/ 60Hz
Rated current:	< 3A
Dimension:	85mmx40mmx130mm / 3,34"x1,57"x5,12"
Fixing screw width:	60 mm (standard)/ 2,36"
Wiring diameter:	0.5--2.5mm / 0,02"--0,1"

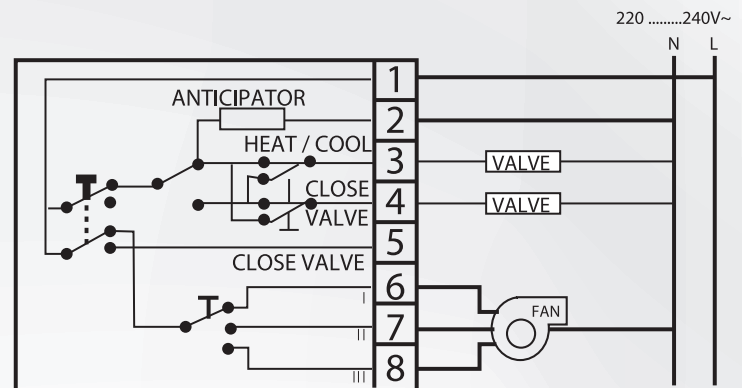
### OPERATION

On / off:	Push switch to Heat position as heating mode; Push switch to Cool position as cooling mode; Push to on position as On mode. Push to off position as Off mode.
Set Point:	Adjust the temperature knob to desire temperature.
Fan speed:	Setting fan switch to control the fan speed.

### TEFAWNXXXV3 WIRING DIAGRAM



DUAL PIPE HEATING/COOLING WIRING DIAGRAM



DUAL PIPE HEATING/COOLING WIRING DIAGRAM



**TEFAWNXXXV3**  
**Series Room Thermostat**

TEFAWNXXXV3

Register your product at  
[www.ecoxline.com](http://www.ecoxline.com)  
@ecoxline

